

CAE Performance Products

PRECISION ENGINEERED TO MOVE

7 MAIN ROAD, CASTLEMAINE, VIC 3450

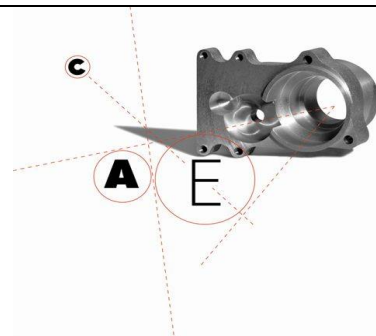
P.O. BOX 686, CASTLEMAINE, VIC 3450

T 03 5472 1442

F 03 5472 4111

W www.caepformanceproducts.com.au

E info@caenterprises.com.au



CASTLE HEADERS WARRANTY

The manufacturer's warranty on Castle Headers products is for a period of two (2) years, covering the headers ONLY. The warranty is subject to the following conditions:-

- All claims must be made within the warranty period.
- Any headers found to have faulty workmanship will be replaced free of charge.
- Castle Headers recommend that this product be fitted by qualified personnel.
- This warranty does not apply to headers that have been subject to neglect, misuse, abuse, accidental or intentional damage, unauthorized repairs, modifications, incorrect application or installation.
- The warranty does not cover the cost of freight, installation or removal of headers.
- The warranty only applies to headers used for normal road use.
- Warranty is voided by the use of heat wrap.

CASTLE HEADERS Purchase Policy

Due to the large range of conversion and aftermarket components available e.g. Cylinder Heads, Engine Mounts, Transmissions Cross members, Steering Components and combinations, Sumps, Starter Motors etc. CASTLE HEADERS can not guarantee our Headers will fit with every combination available.

Conditions

Headers can not be modified without voiding the warranty unless prior consent by CAE Staff.

Headers must be returned to CASTLE HEADERS in re-saleable condition. Conditions apply, see Return of Goods below.

ORDERING

Orders can be placed by phone, fax or e-mail. We prefer official purchase orders from account customers. Please quote the part number, quantity and any special requirements when ordering.

SHIPPING

All orders are dispatched upon payment (Except account customers). We ship Australia-wide every day. If you wish to use your own courier, please advise us of your courier name & account details & we can organize pick-up. Transport insurance can be arranged at the request of the purchaser.

RETURN OF GOODS

All part returned will incur a 20% re-stocking fee. Freight is to be paid by customer unless the goods are being returned due to manufacturing defect or shipping error, in which case they are to be shipped using our Australia Post Reply Paid account. C.O.D. post will NOT be accepted under any circumstances. Goods specifically made to customer requests cannot be returned for credit. All goods remain the property C.A.E. Performance Products Pty Ltd until paid for in full.

DAMAGE

All goods are shipped in good condition & are packed accordingly. We can only handle damage claims for prepaid freight.

PAYMENT

Payment can be made by credit card, direct deposit, cheque/money order or cash over the counter. Please note that cheques & money orders must include the full amount of the order & freight costs. Personal cheques are subject to bank clearance (5 business days).